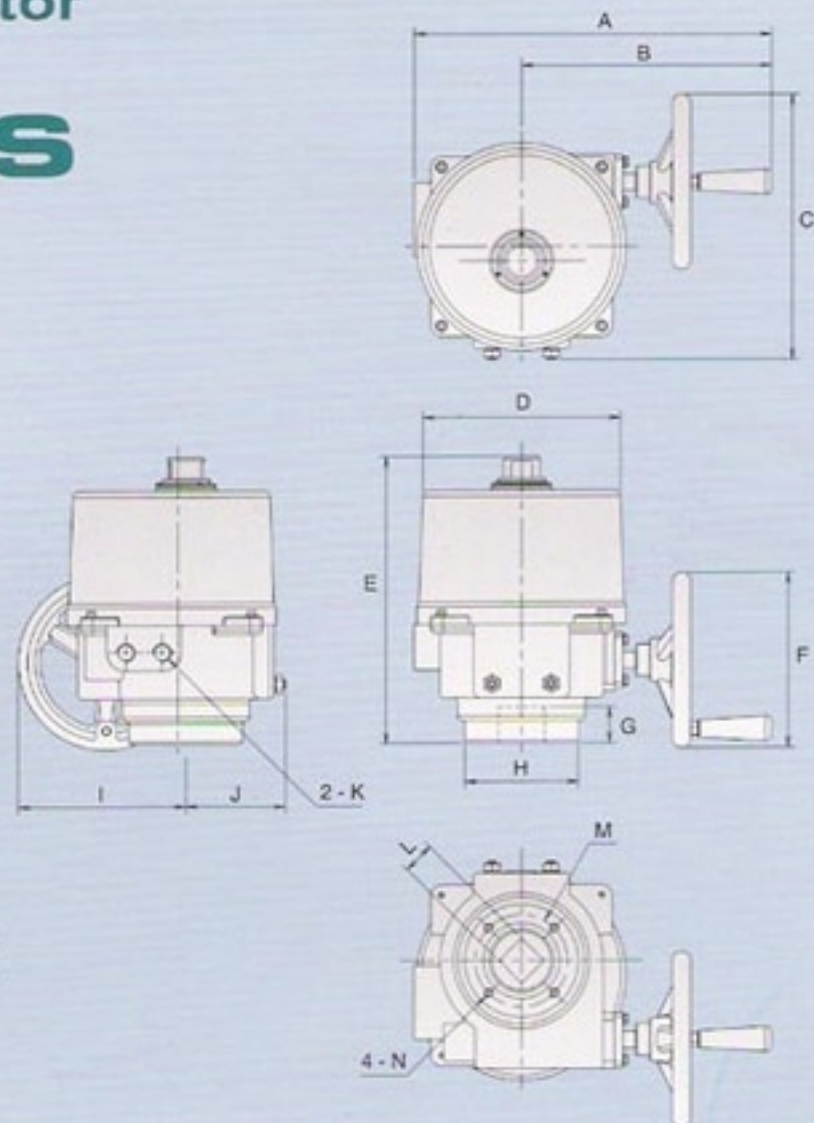


Quarter-turn Electric Actuator

Dimensions



•Note : with torque switch A = 460.

Unit:mm

Dimension Model No.	A	B	C	D	E	F	G	H	I	J	K	L	M	N	Flange Type
OM-4~OM-6	394	275	294	Ø217	317	Ø194	40	Ø125	184	110	1/2 PS	35	Ø102	M10*1.5	F10